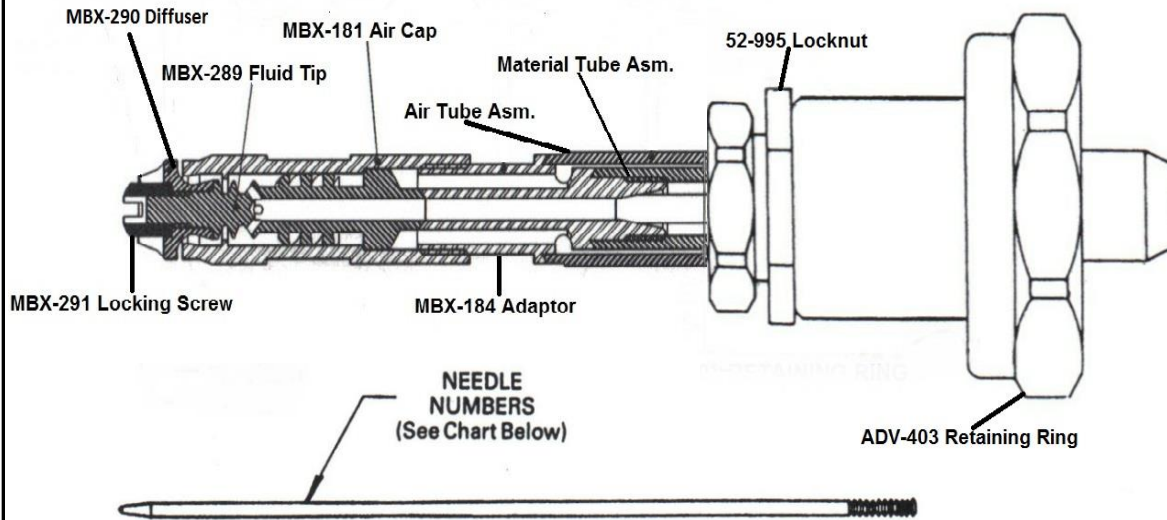


MODEL SC-MBX EXTENSIONS ADVANCE HD SPRAY GUNS



NOMINAL EXTENSION LENGTH	ACTUAL EXTENSION LENGTH	AIR TUBE ASSEMBLY NUMBER	MATERIAL TUBE ASSEMBLY	NEEDLE NUMBER	ASSEMBLY NUMBER
9"	6"	ADV52-1058-MBX	ADV52-1070-MBX	ADV52-30	EXT-ADV-SCMBX-09
12"	9"	ADV52-1059-MBX	ADV52-1071-MBX	ADV52-31	EXT-ADV-SCMBX-12
15"	12"	ADV52-1060-MBX	ADV52-1072-MBX	ADV52-32	EXT-ADV-SCMBX-15
18"	15"	ADV52-1061-MBX	ADV52-1073-MBX	ADV52-33	EXT-ADV-SCMBX-18
21"	18"	ADV52-1062-MBX	ADV52-1074-MBX	ADV52-34	EXT-ADV-SCMBX-21
27"	24"	ADV52-1063-MBX	ADV52-1075-MBX	ADV52-35	EXT-ADV-SCMBX-27
33"	30"	ADV52-1064-MBX	ADV52-1076-MBX	ADV52-36	EXT-ADV-SCMBX-33
39"	36"	ADV52-1065-MBX	ADV52-1077-MBX	ADV52-37	EXT-ADV-SCMBX-39
51"	48"	ADV52-1066-MBX	ADV52-1078-MBX	ADV52-38	EXT-ADV-SCMBX-51
63"	60"	ADV52-1067-MBX	ADV52-1079-MBX	ADV52-39	EXT-ADV-SCMBX-63
75"	72"	ADV52-1068-MBX	ADV52-1080-MBX	ADV52-40	EXT-ADV-SCMBX-75
87"	84"	ADV52-1069-MBX	ADV52-1081-MBX	ADV52-41	EXT-ADV-SCMBX-87

Installation Instructions for Model SC-MBX Extensions

- 1) Remove SP-626 (Advance Gun) or SPA-27 (Cobra 2 Gun) separator.
- 2) Place the spray gun in a vice and attach the extension securely with a wrench. Tighten the ADV-403 retaining ring by hand.
- 3) Insert needle into the back of spray gun.